

HEATCO INTERNATIONAL TANKS



TANKS

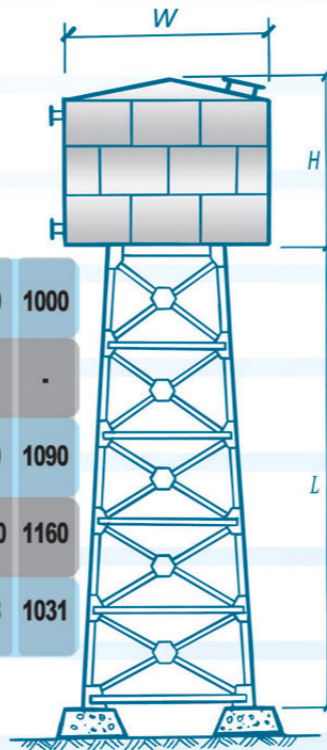
7/14 M. Zaky Mounir St. Makram Ebaid . Nasr City . Cairo
Tel.: (+202) 22872431 / 22729953
Fax: (+202) 22741779 / 22729937
Mob.: 0106109735
www.heatcointernational.com

HEATCO TANKS MODELS : DT, ST, HT and PV



HIGH STORAGE TANK

HT	Type (HT)	30	45	50	70	100	125	175	225	300	350	400	500	600	700	800	900	1000
	Height Tower (L) M	36	36	30	30	24	24	24	12	12	12	12	6	6	6	6	-	-
	Height Tank(H) Cm	350	450	350	450	450	550	565	475	575	675	775	590	690	790	890	990	1090
	Width (W) Cm	395	395	485	485	585	585	680	880	880	880	880	1160	1160	1160	1160	1160	1160
	Capacity m ³	34	45	53	70	102	128	175	232	290	348	406	515	619	722	825	928	1031

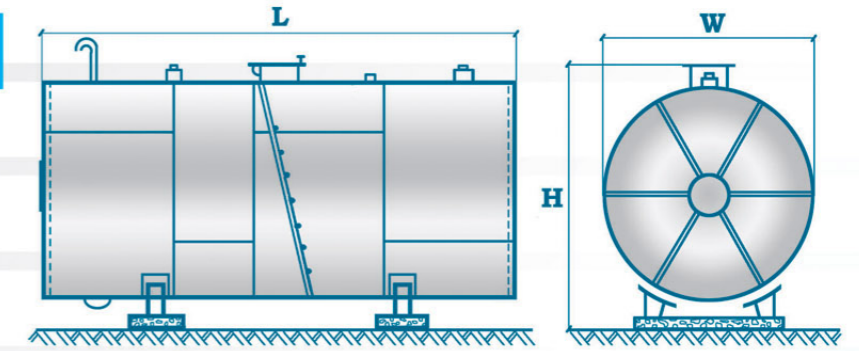


HT is a storage tank with high capacity and horizontal configuration, material could be made of carbon steel and stainless steel manufactured on site for floor mounting with steel and concrete towers, heights up to 36 meters for storage capacities up to 1000 ton and more.

PV is a pressure vessel tank (tailor made) For all above mentioned capacities bar with working pressure up to 50 bar.

-All UT and RT tests are available upon request for quality assurance.

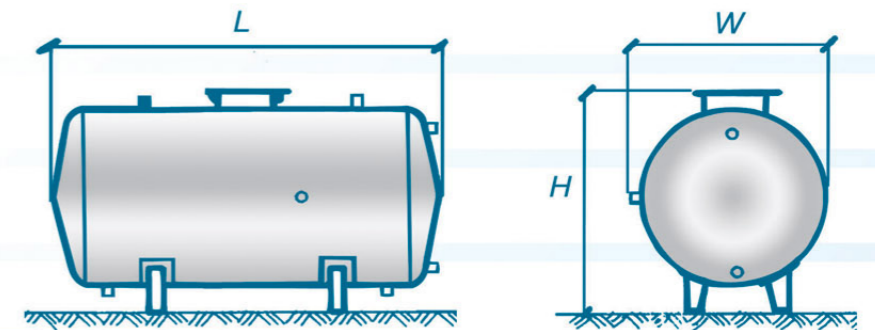
MONTHLY TANKS



ST	Type (ST)	5	6	7	8	10	11	14	17	20	25	30	40	45	50	60	70	80	90	100
	Tank Height (H) Cm	195	195	195	195	225	225	225	225	290	290	290	335	335	335	335	425	425	425	425
	Tank Length (L) Cm	250	300	350	400	350	400	500	600	400	500	600	500	600	700	800	600	700	800	900
	Width (W) Cm	159	159	159	159	191	191	191	191	254	254	254	318	318	318	318	382	382	382	382
	Capacity Lt	5000	6000	7000	8000	10000	11000	14000	17000	20000	25000	30000	40000	45000	50000	60000	70000	80000	90000	100000

ST is a monthly tank with medium and high capacities and horizontal configuration, or other kinds of material upon request, ST tank used for fuel stations, water reservoir, dairy industries with under soil special resistance coating as well as floor mounted with control equipment devices for automatic and manual operation.

DAILY TANK



DT	Type (DT)	30	50	75	100	150	200	200	300	400	375	450	500
	Height (H) Cm	85	85	120	120	120	120	120	155	155	155	155	155
	Length (L) Cm	100	150	100	150	200	150	300	250	300	325	350	400
	Width (W) Cm	63	63	95	95	95	127	95	127	127	127	127	127
	Capacity Lt	300	500	750	1000	1500	2000	2000	3000	3750	4000	4500	5000

DT is a daily tank with low and medium capacity and horizontal configuration, material could be made of carbon steel with special linings, stainless steel 304,304L, 316, 316L, galvanized steel or other kinds of material upon request, DT tank used for fuel, water, condensate, dairy industries and also so many other uses DT could be insulated for liquid with over and under ambient temperature .