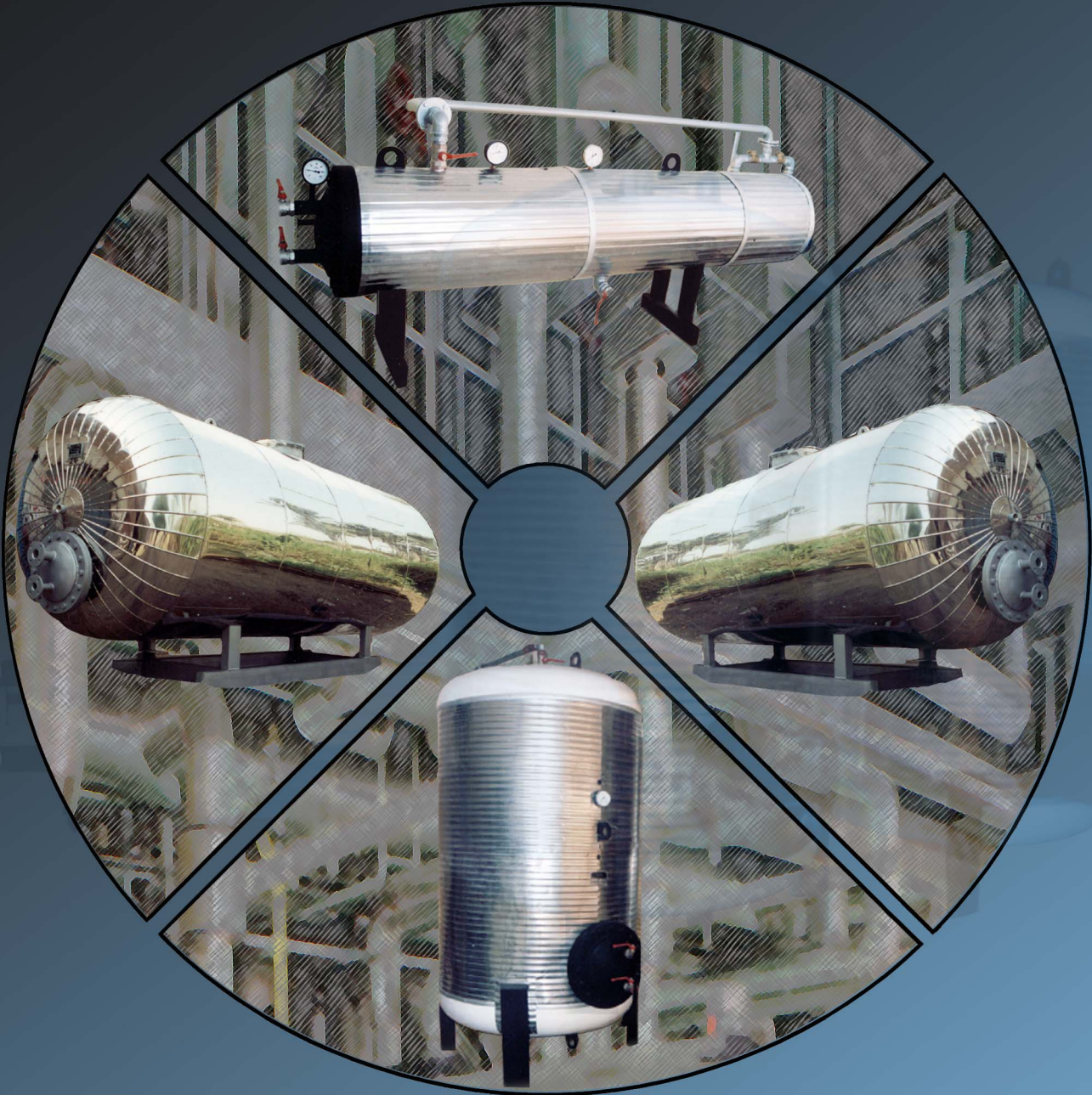


Best Solution For Heat Transfer

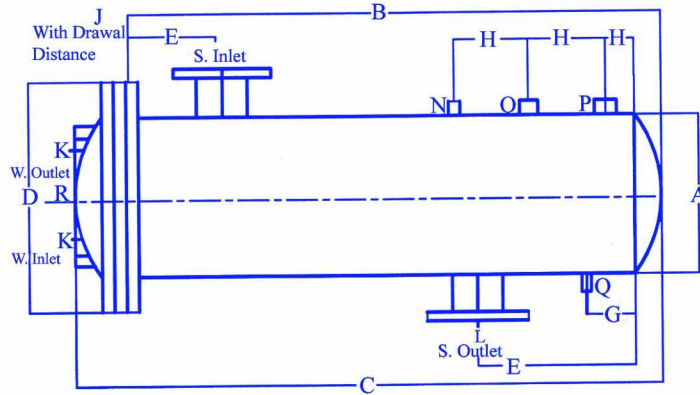
Non-Storage Calorifiers



HEATCO
International

Instantaneous Heat Exchanger

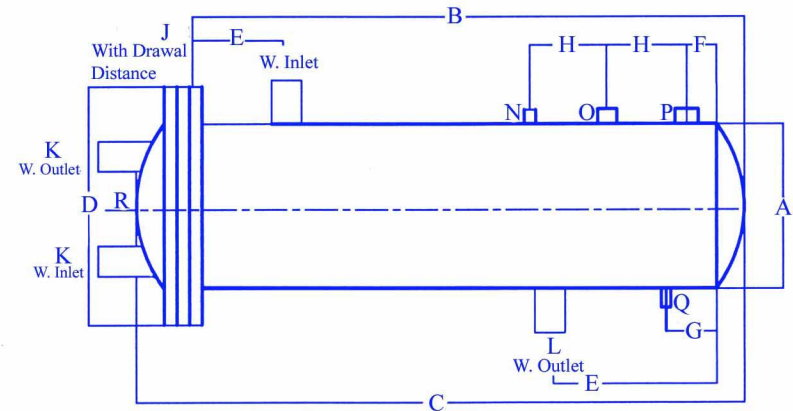
Type : HEATCO EX



Steam - Water

Type EX	Capacity K.Cal/hr	A	B	C	D	E	F	G	H	J	s.v	Drain	D.N	Steam	
														IN	Out
0.05	50000	240	850	1200	390	250	75	50	100	750	13	13	20	20	13
0.10	100000	240	850	1200	390	250	75	50	100	750	13	20	40	20	20
0.15	150000	240	1200	1500	390	250	75	65	125	1000	13	20	40	25	20
0.20	200000	240	1700	2000	390	300	75	65	150	1550	20	20	50	25	20
0.30	300000	380	1100	1400	530	300	75	75	150	1000	20	20	50	40	25
0.40	400000	380	1100	1400	530	300	75	75	150	1000	20	25	75	40	25
0.60	600000	380	2100	2400	530	300	75	75	200	1850	25	25	75	50	40
0.75	750000	380	2600	2400	530	350	75	75	200	1850	25	40	75	50	40
0.90	900000	380	3100	3400	530	350	75	75	200	2650	40	40	75	75	40
1.00	1000000	380	3100	3400	530	350	75	75	200	2650	40	40	75	75	40
1.20	1200000	380	3100	3400	530	450	100	75	200	2900	50	50	100	75	40
1.40	1400000	380	3100	3400	530	450	100	75	300	2900	50	50	100	100	50
1.60	1600000	480	2600	2900	630	450	100	75	300	2250	50	50	100	100	50
2.00	2000000	480	3100	3400	630	450	100	75	300	2950	50	50	125	100	50

Type : HEATCO EX



Water - Water

Type EX	Capacity K.Cal/hr	A	B	C	D	E	F	G	H	J	s.v	Drain	D.N		
0.05	50000	240	850	1200	390	250	75	50	100	750	13	13	20		
0.10	100000	240	1700	2000	390	250	75	50	100	1550	13	20	40		
0.15	150000	380	1200	1500	530	250	75	65	125	1000	13	20	40		
0.20	200000	380	1160	1400	530	300	75	65	150	1000	20	20	50		
0.30	300000	380	2100	2400	530	300	75	75	150	1850	20	20	50		
0.40	400000	380	2600	3000	530	300	75	75	150	2450	20	25	75		
0.60	600000	380	3100	3400	530	300	75	75	200	2900	25	25	75		
0.75	750000	480	2600	2900	530	350	75	75	200	2900	25	40	75		
0.90	900000	480	3100	3400	630	350	75	75	200	2950	40	40	75		
1.00	1000000	480	3100	3400	630	350	75	75	200	2750	40	40	75		
1.20	1200000	480	3100	3400	630	450	100	75	200	2850	50	50	100		
1.40	1400000	630	2600	2900	800	450	100	75	300	2300	50	50	100		
1.60	1600000	630	3100	3400	800	450	100	75	300	2800	50	50	100		
2.00	2000000	630	3100	3400	800	450	100	75	300	3800	50	50	125		